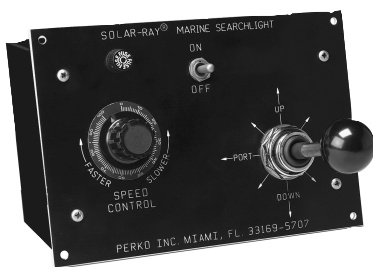


# PERKO®

*We Make it Right, Right Here!!*

## ***SOLAR-Ray® Marine Searchlight***

### ***Distant Electric Mount Model 1925***



# PERKO®

## 1. GENERAL

This manual contains a description, installation procedure and simplified diagrams of the SOLAR-Ray® Distant Electric Mount, Model 1925.

## 2. DESCRIPTION

The Model 1925 (Figure 1) provides the SOLAR-Ray® Marine Searchlight, Model 1902 DE4 with electrical control of azimuth and elevation with the added advantage of remote location. The Model 1925 has a rotating base and gear assembly activated by two 115V motors housed in a base. The motors are controlled by switches on master control unit or slave control unit (Figure 2).

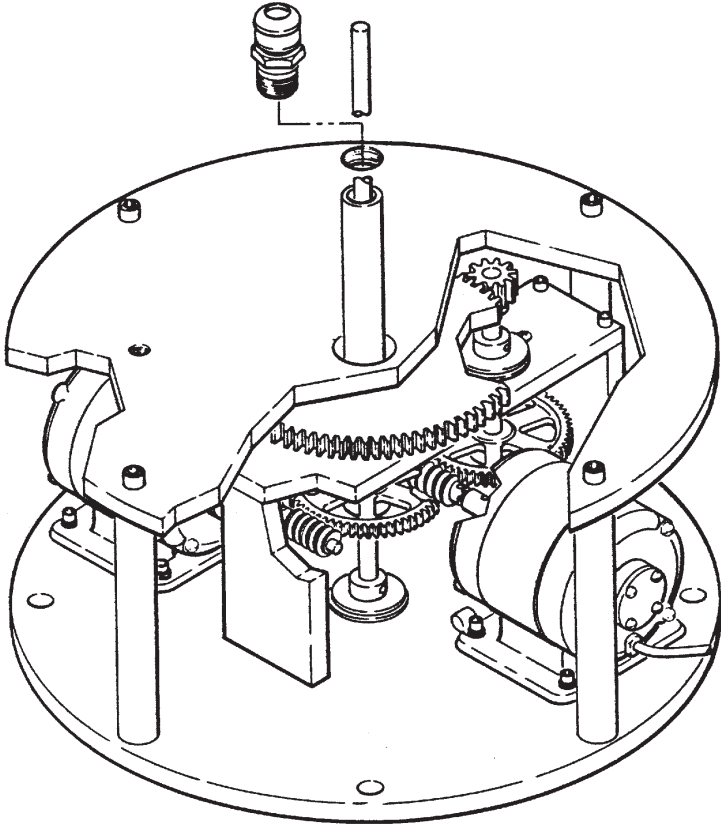
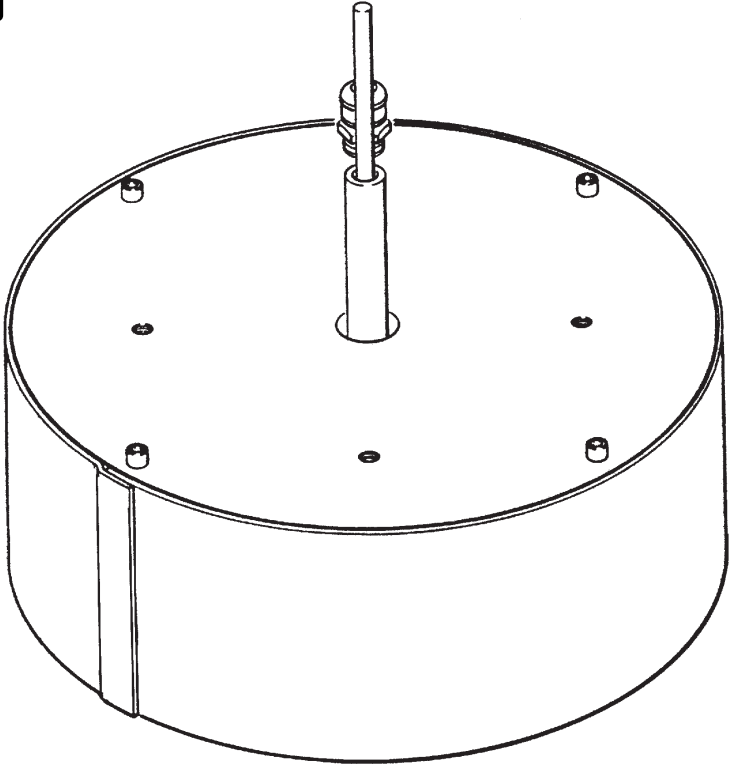
<b><u>Model No.</u></b>	<b><u>Description</u></b>
1925	Distant Electric Mount. Mates to the model 1902 DE4 Searchlight head.
1902 DE4	Solar-Ray® Marine Searchlight head, Essentially a Model 1902 004 Searchlight designed to mate with the Model 1925 Distant Electric Mount.
1902 004	Solar-Ray® Marine Searchlight head. Designed for manual controls. Requires Model 1926 Adapter Kit in order to be used with Model 1925 mount.
1926	Adapter Kit to mate with Model 1902 004 Searchlight head with Model 1925 Mount. Consists of special gear rack, other components, hardware and instructions.

## 3. INSTALLATION

Prior to installing the Model 1925 Mount, a horizontal mounting surface must be provided on which the Model 1925 will rest. A 1/2 inch thick flat steel plate attached to a suitable superstructure is satisfactory. The mounting surface is provided by the installer. The 1/2 inch plate, 17.50 inch diameter (minimum) must have a hole pattern comprised of four 1/2-13 tapped holes on a 16 inch bolt circle to match the mounting holes in the Model 1925. Refer interconnection schematic diagrams using the Model 1925 Mount, Figure 3.

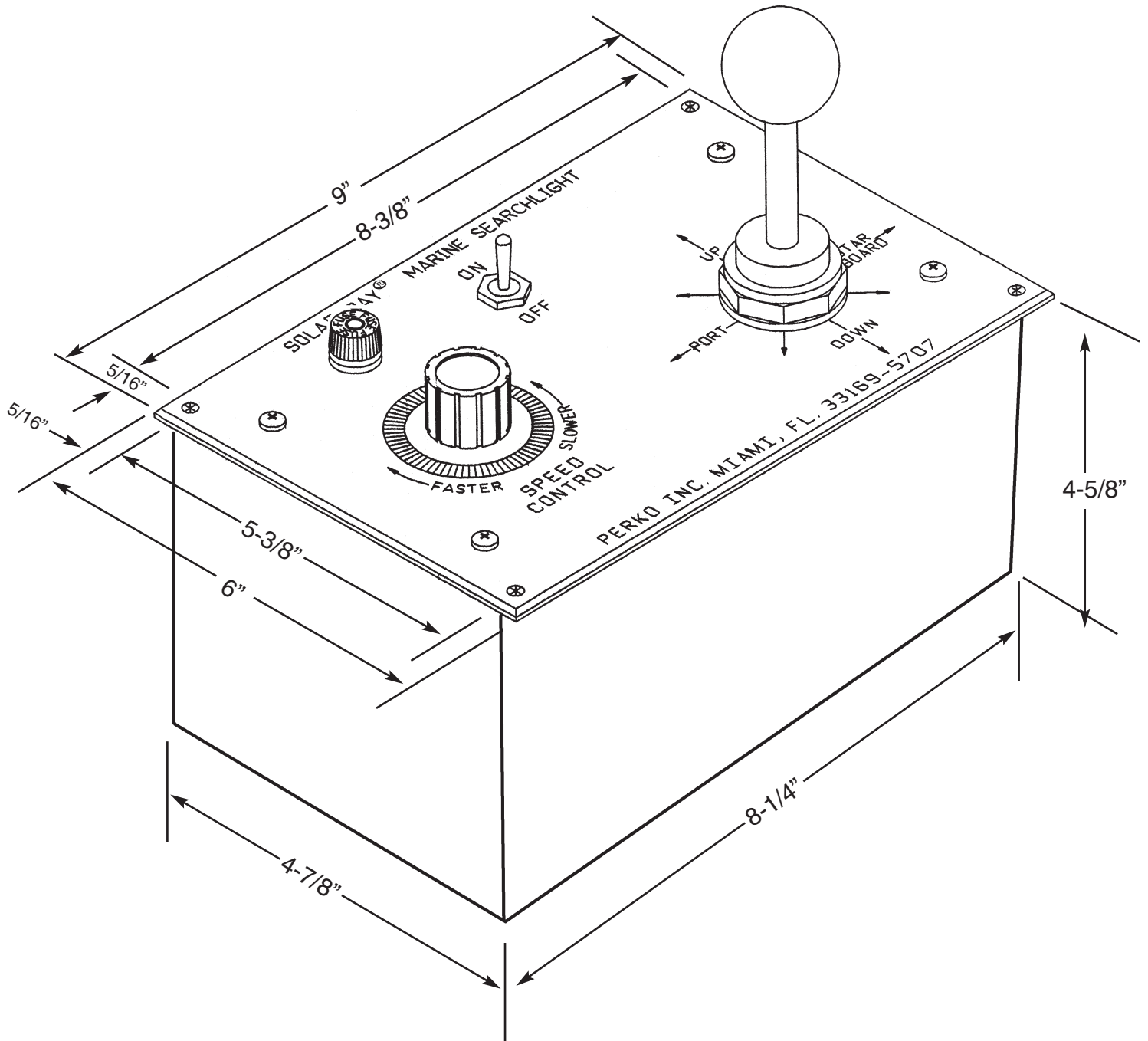
## 4. MAINTENANCE

For Distant Electric Base trouble shooting, refer to interconnection/schematic diagrams of the Model 1925 Mount, Figure 3. Twice yearly, apply commercial grade marine lubricant (grease) to gears. Check for loose electrical connections, and integrity of the case seal.



*Figure 1. SOLAR-Ray® Distant Electric Mount, Model 1925*

**FIGURE 2.**  
**SOLAR-RAY® MASTER OR SLAVE CONTROL A6**

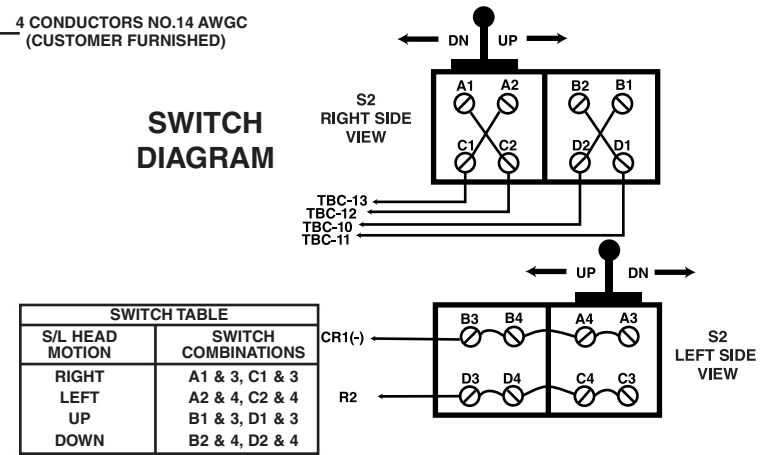
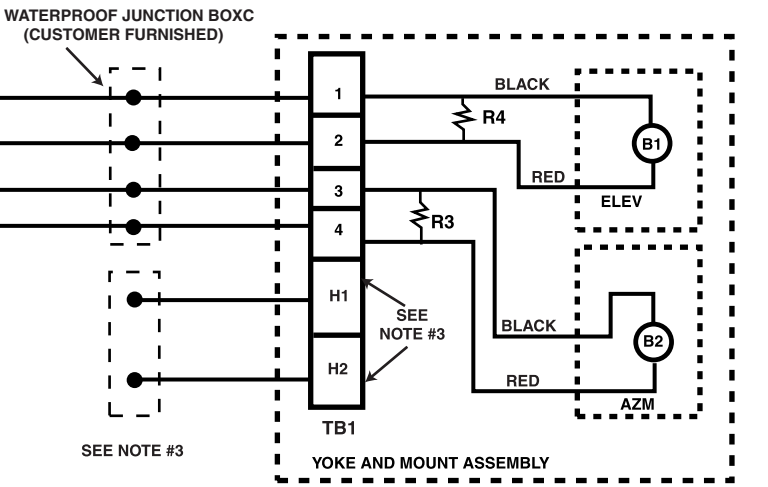
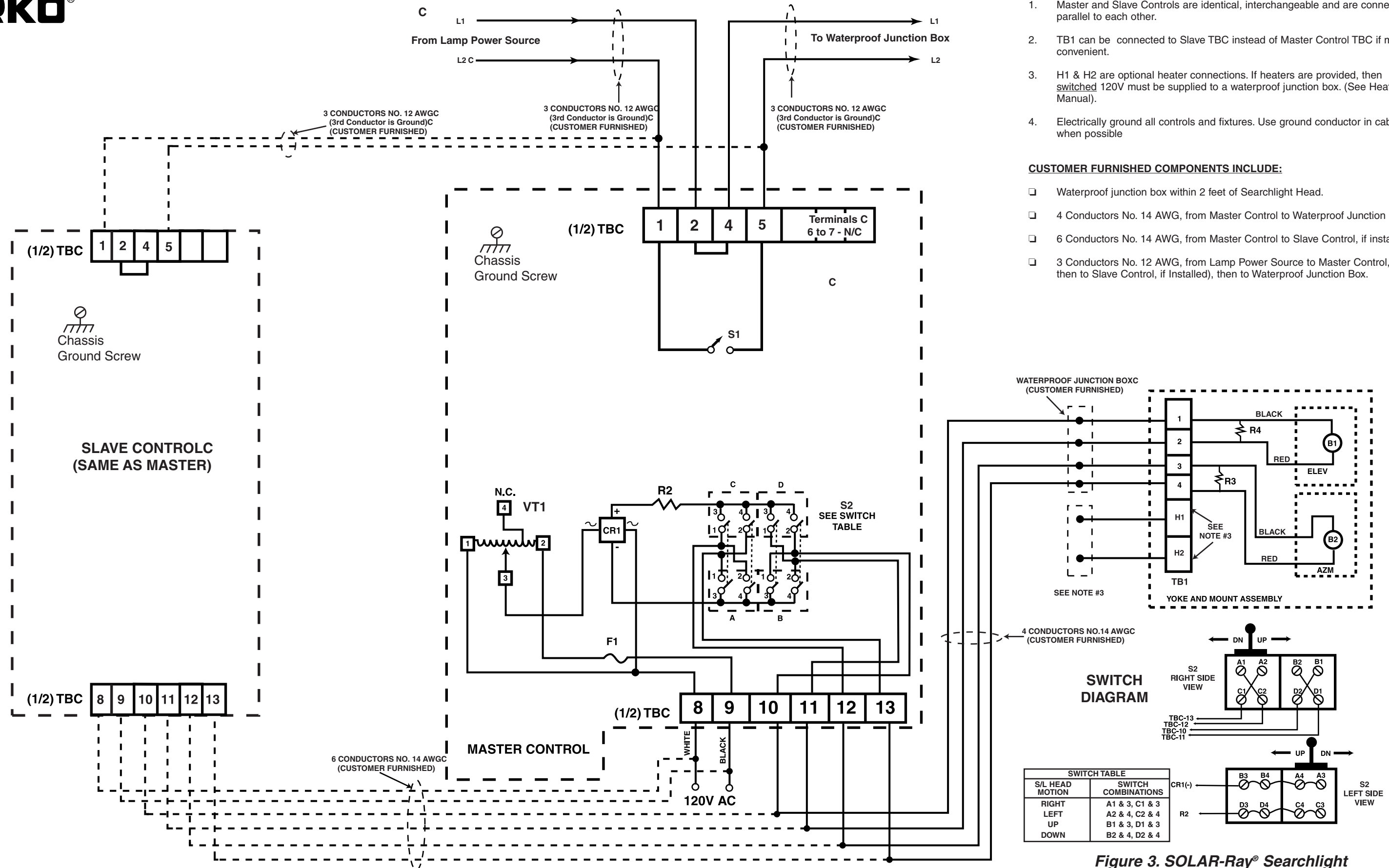


**NOTES:**

1. Master and Slave Controls are identical, interchangeable and are connected in parallel to each other.
2. TB1 can be connected to Slave TBC instead of Master Control TBC if more convenient.
3. H1 & H2 are optional heater connections. If heaters are provided, then switched 120V must be supplied to a waterproof junction box. (See Heater Manual).
4. Electrically ground all controls and fixtures. Use ground conductor in cable when possible

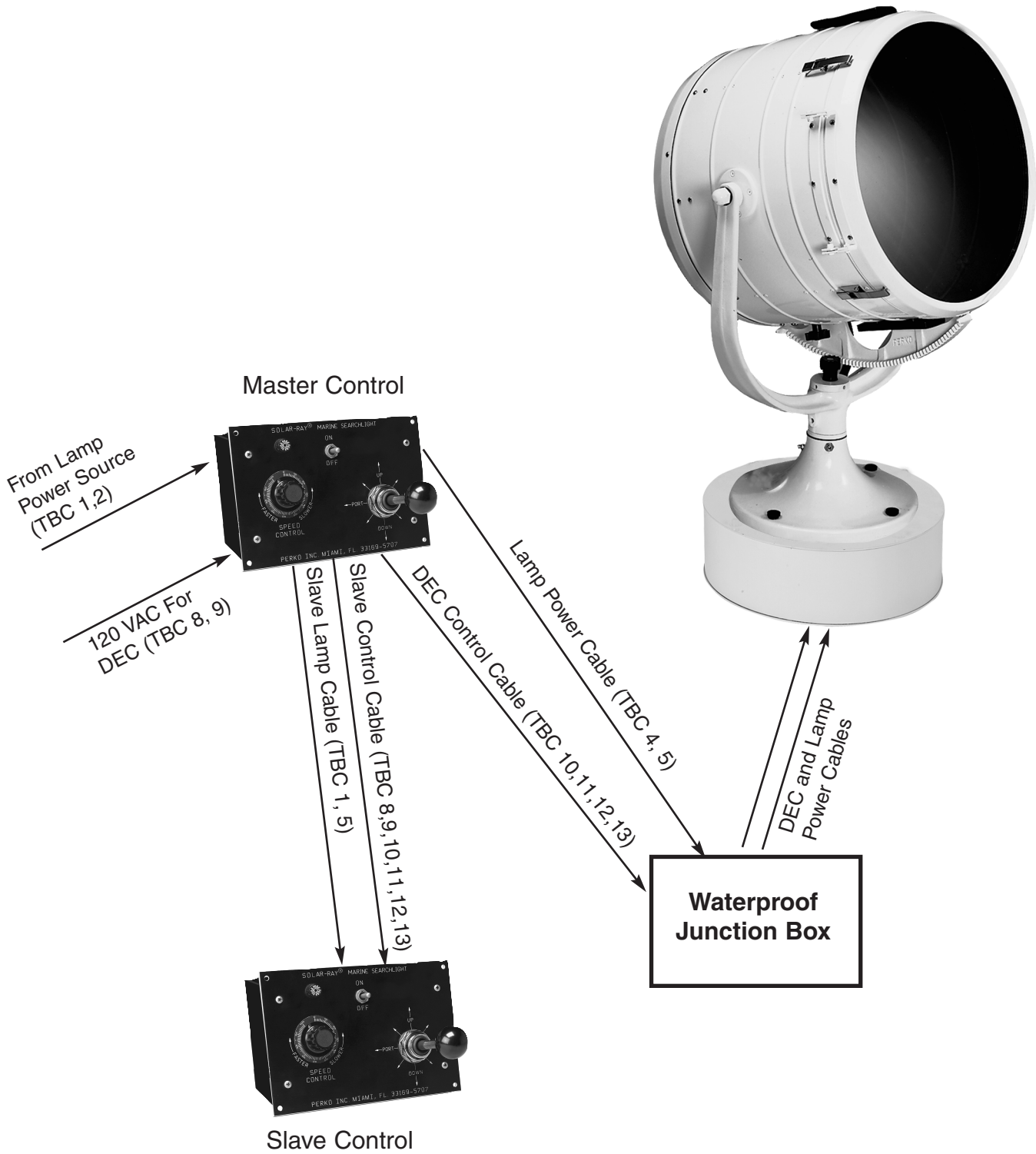
**CUSTOMER FURNISHED COMPONENTS INCLUDE:**

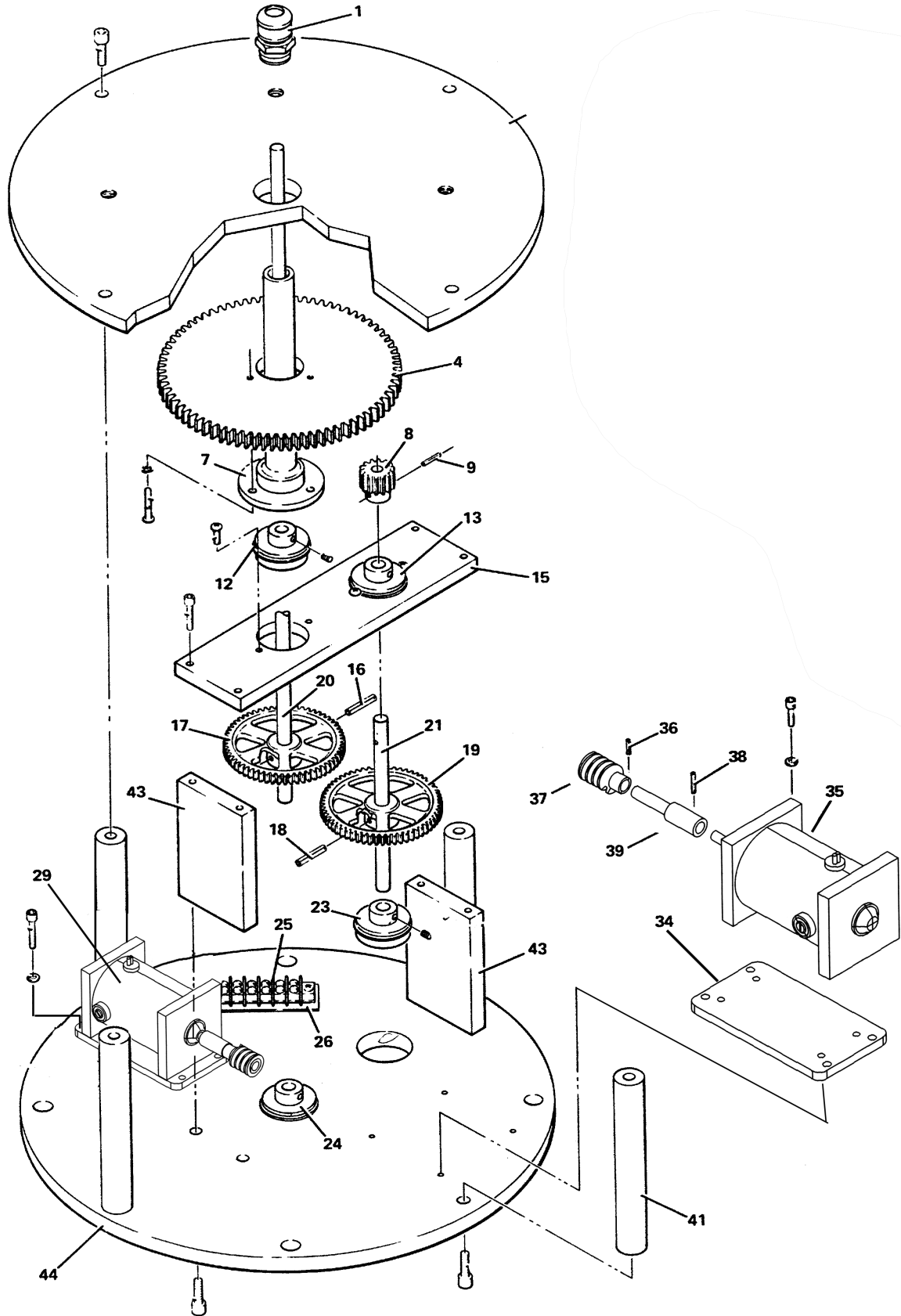
- Waterproof junction box within 2 feet of Searchlight Head.
- 4 Conductors No. 14 AWG, from Master Control to Waterproof Junction Box.
- 6 Conductors No. 14 AWG, from Master Control to Slave Control, if installed.
- 3 Conductors No. 12 AWG, from Lamp Power Source to Master Control, (and then to Slave Control, if Installed), then to Waterproof Junction Box.



**Figure 3. SOLAR-Ray® Searchlight with Distant Electric Mount. Model 1925 Schematic Diagram**

**FIGURE 4.**  
**SOLAR-RAY® INTERCONNECTION DIAGRAM**





**Figure 5. Exploded View of Model 1925**

# PERKO®

<u>Item No.</u>	<u>Description</u>	<u>PERKO Fig. No.</u>
1	Feed Thru, Water Tight	9551-070
3	Cover, Plate	1925-APLT
4	Gear, Modified	9551-024
7	Azimuth Drive	9551-032
8	Gear	9551-012
9,16&18	Roll Pin 1/8" x 1"	9551-095
12,13,23&24	Bearing, Coated	9551-036
15	Bearing Plate	9551-027
17-19	Gear, Elevation	9551-058
20	Shaft, Elevation	9551-080
21	Shaft, Azimuth	9551-081
25	Terminal Block	9551-038
26	Marker Strip	9551-039
29	Elevation Drive Motor (Style Varies from Illustration)	9551-025
34	Motor Mounting Plate	9551-082
36-39	Roll Pin	9551-096
37	Worm Gear	9551-063
39	Shaft Adapter	9551-041
41	Spacer	9551-026
43	Bearing Support Plate	9551-028
44	Base Plate	9551-011
	Cover Assembly (Not Shown)	
	Cover Skin	9551-031
	Hinge Bracket	9551-078
	Door Catch	9501-006

**Note: Common Screws, Nuts & Bolts NOT Identified as Spare Parts.**

**Table 1. Parts List of Model 1925 (See Fig. 5)**